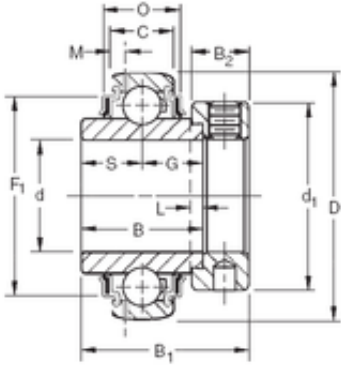




## BEARING PRECISION AXLE CORP.

### 30,1625 mm x 72 mm x 36,51 mm TIMKEN GN103KRRB Insert Bearings Spherical OD



Bearing No. GN103KRRB

Size	30.1625x72x36.51 mm
Bore Diameter	30,1625 mm
Outer Diameter	72 mm
Width	36,51 mm
d	30,1625 mm
D	72 mm
B	36,51 mm
C	20 mm
P	23,5 mm
O	60,17 mm
d1	49,2 mm
B1	3,61 mm
B2	17,5 mm
G	19,1 mm
L	4 mm
S	17,5 mm
F1	50 mm
Weight	0,553 Kg
Basic dynamic load rating (C)	33,5 kN

GN103KRRB Bearing 2D drawings and 3D CAD models