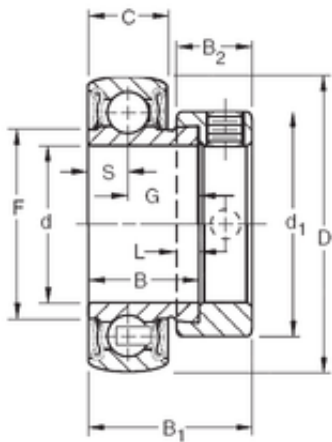




BEARING PRECISION AXLE CORP.

19.05 mm x 42 mm x 16,67 mm TIMKEN RAL012NPPB Insert Bearings Spherical OD



Bearing No. RAL012NPPB

Size	19.05x42x16.67 mm
Bore Diameter	19.05 mm
Outer Diameter	42 mm
Width	16,67 mm
d	19.05 mm
D	42 mm
B	16,67 mm
C	12 mm
d1	29,8 mm
B1	24,6 mm
B2	11,1 mm
F	25,15 mm
G	10,663 mm
L	3,2 mm
S	6 mm
Weight	0,09 Kg
Basic dynamic load rating (C)	10,4 kN

RAL012NPPB Bearing 2D drawings and 3D CAD models