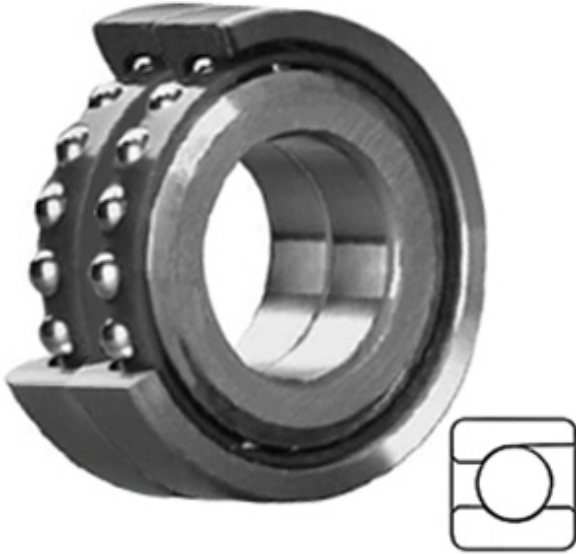




BEARING PRECISION AXLE CORP.



100BAR10STYNDBLP4A Bearing 2D drawings and 3D CAD models

100BAR10STYNDBLP4A NSK Super Precision Bearings

Bearing No. 100BAR10STYNDBLP4A

Category	Precision Ball Bearings
Inventory	0.0
Manufacturer Name	NSK
Minimum Buy Quantity	N/A
Weight	2.7
Product Group	B04270
Enclosure	Open
Precision Class	ABEC 7 ISO P4
Material - Ball	Steel
Number of Bearings	2 (1 Pair)
Contact Angle	30 Degree
Preload	Light
Raceway Style	1 Rib Outer Ring
Cage Material	Polyamide
Rolling Element	Ball Bearing
Mounting Arrangement	Duplex-Back to Back
Flush Ground	Yes
Inch - Metric	Metric
Other Features	Single Row Angular Contact Thrust Bearing High Speed ISO 4 Expect OD
Long Description	100MM Bore; 150MM Outside Diameter; 45MM Width; Open Enclosure; ABEC 7 ISO P4 Precision; Steel Ball Material; 2 (1 Pair) Bearings; 30 Degree Contact



BEARING PRECISION AXLE CORP.

	Angle; Polyamide Cage Material; 1 Rib Outer Ring
Category	Precision Ball Bearings
UNSPSC	31171531
Harmonized Tariff Code	8482.10.50.28
Noun	Bearing
Keyword String	Angular Contact Ball
Manufacturer URL	http://www.nskamericas.com
Manufacturer Item Number	100BAR10STYNDBLP4A
Weight / LBS	5.952
D	5.906 Inch 150 Millimeter
d	3.937 Inch 100 Millimeter
B	1.772 Inch 45 Millimeter